

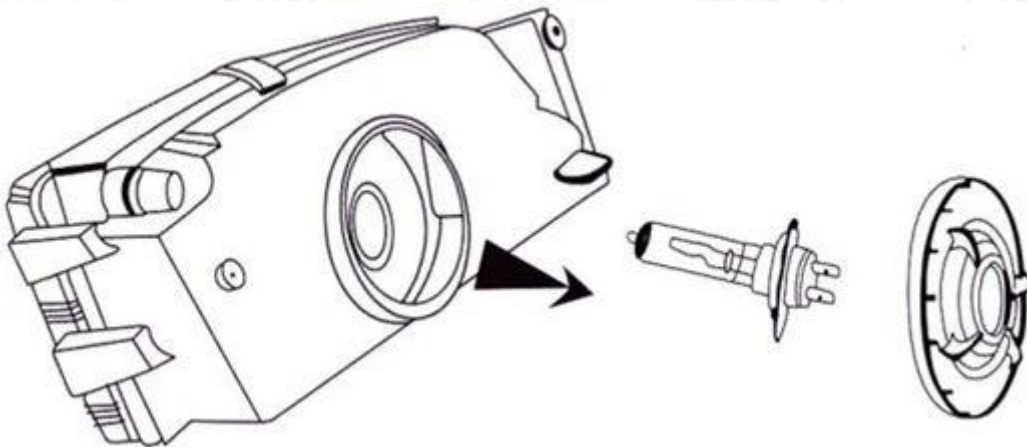
DESIGN 911
Centre for Porsche

How to Install HID Conversion Kit

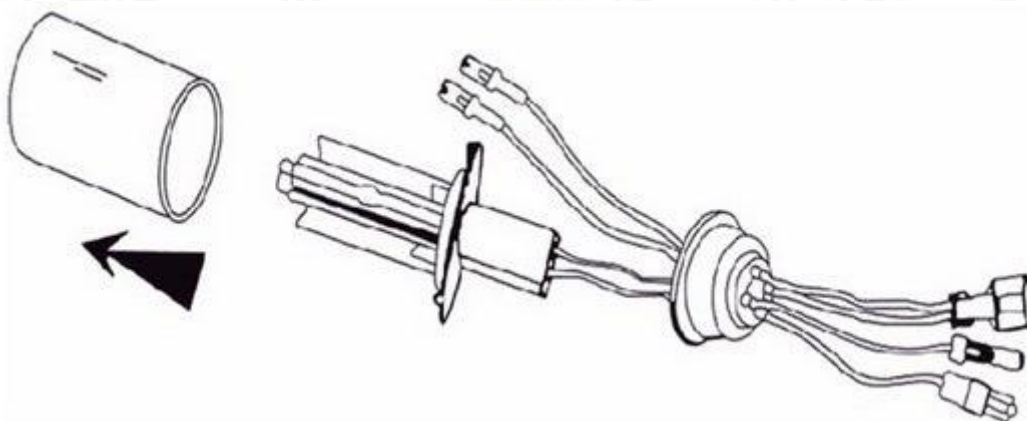


STEP 1: Open your vehicle's hood.

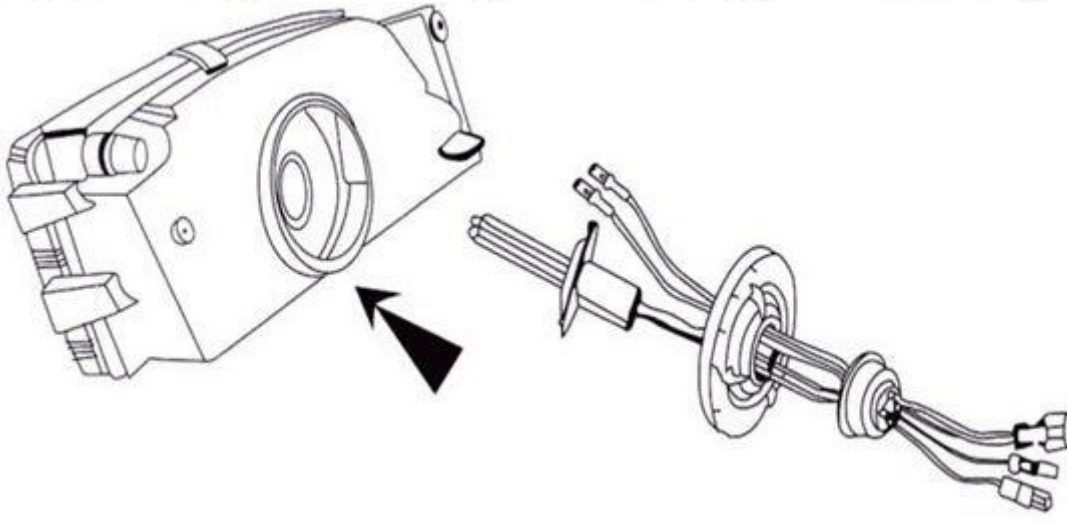
STEP 2: Open the back cap on the headlight assembly and take out the stock bulb. Do not touch the bulb's glass with your finger. You can wear gloves as protection.



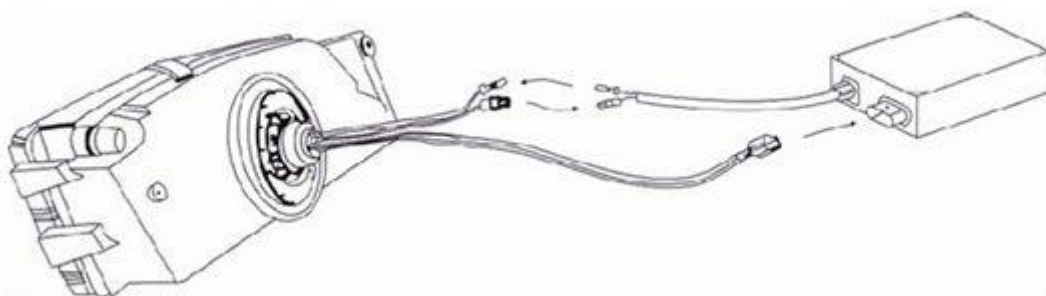
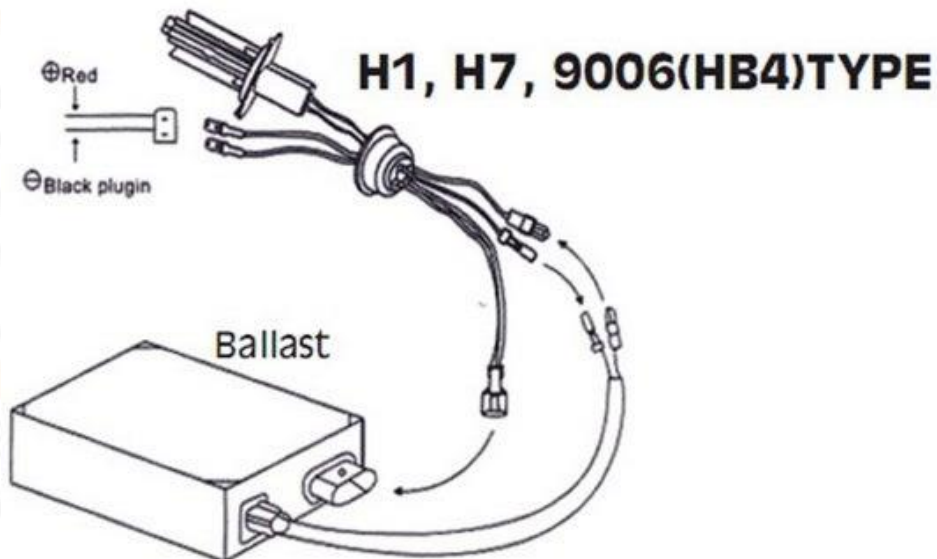
STEP 3: Insert the xenon light into the headlight housing. You have to be gentle when removing the plastic cap and remember not to touch the bulb. If you did, you can always use rubbing alcohol to clean.



STEP 4: Insert the xenon bulb into the headlight.



STEP 5: Connect the HID bulb with the ballast and connect the HID ballast back to the stock socket.



STEP 6: Test the HID light to see if it lights up. If not, flip the adapter 180 degrees.

With this HID Conversion Kit, your headlights' output will be much brighter and you'll get a clean, crisp look. There is no heavy modification involved so converting to HID is a great upgrade, even for beginners.